

## Application Scope

Kymata provides an advanced solution for indoor and outdoor radio coverage in large logistical and industrial environments.

The Kymata antennas and amplifiers address signal issues effectively and economically, ensuring superior performance. The intuitive web interface and SNMP management offer comprehensive control over industrial wireless networks.

## IPD3BAND Triplexer Module

The IPD3BAND is a passive triplexer designed to combine and separate Mobile networks (GSM/LTE, 5G-ready Sub-1 GHz), DECT, and Wi-Fi signals on a single Kymata antenna.

It enables efficient signal management by allowing the simultaneous operation of multiple wireless technologies — Mobile networks (GSM/LTE, 5G-ready Sub-1 GHz), DECT, and Wi-Fi — over a shared antenna infrastructure.

This module is ideal for installations requiring the integration of multiple radio services into a single antenna system, optimizing spectrum utilization in high-density environments.

## Key Features

- **Triple-Band Operation**

Operates across GSM/LTE, 5G-ready Sub-1 GHz, DECT and Wi-Fi bands, enabling the coupling and decoupling of signals on the same Kymata antenna. This provides seamless connectivity across different wireless technologies in a shared environment.

- **Efficient Spectrum Use**

Maximizes the utilization of available spectrum by managing multiple systems on a single antenna, reducing the need for separate infrastructure for each wireless technology.

- **Enhanced Network Flexibility**

Supports the concurrent operation of Mobile networks (GSM/LTE, 5G-ready Sub-1 GHz), DECT, and Wi-Fi, providing flexibility for diverse network deployments in industrial and commercial environments.

- **Passive Design**

No external power source is required, simplifying installation and reducing maintenance needs.

## Benefits

- **Optimized Spectrum Efficiency**

By coupling and decoupling signals from different wireless systems, the IPD3BAND ensures optimal use of the available spectrum, improving overall network performance.

- **Seamless Integration**

Designed to integrate effortlessly with existing Kymata antenna configurations, supporting both small-scale and large-scale network deployments.

- **Versatile Wireless Deployments**

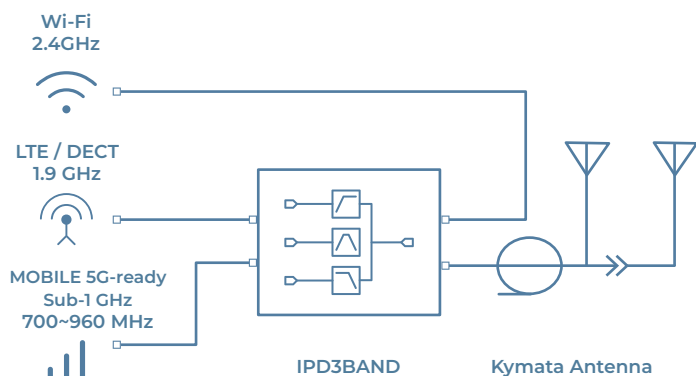
Provides the flexibility to support Mobile networks (GSM/LTE, 5G-ready Sub-1 GHz), DECT, and Wi-Fi on a single antenna, enabling scalable and versatile network deployments in industrial environments.



## Technical Specifications

Impedance Type	50 $\Omega$
Working Frequency	- 5G/LTE/GSM: 700 ~ 960 MHz - LTE H/DECT/GSM H: 1710 ~ 2170 MHz - Wi-Fi: 2.400 ~ 6.000 MHz
Insertion Loss MOBILE	1.2 dB $\pm$ 0.2 dB
Insertion Loss LTE/DECT	1.2 dB $\pm$ 0.2 dB
Insertion Loss Wi-Fi	1.6 dB $\pm$ 0.5 dB
Max Power Input	<10 Watt
Connector Type	4 x N female
Supported Antenna Models	ANT2L, ANT2C, ANT5L, ANT5C, ANT5MM, ANT5AW Series

## Connection Scheme



Serial Number

