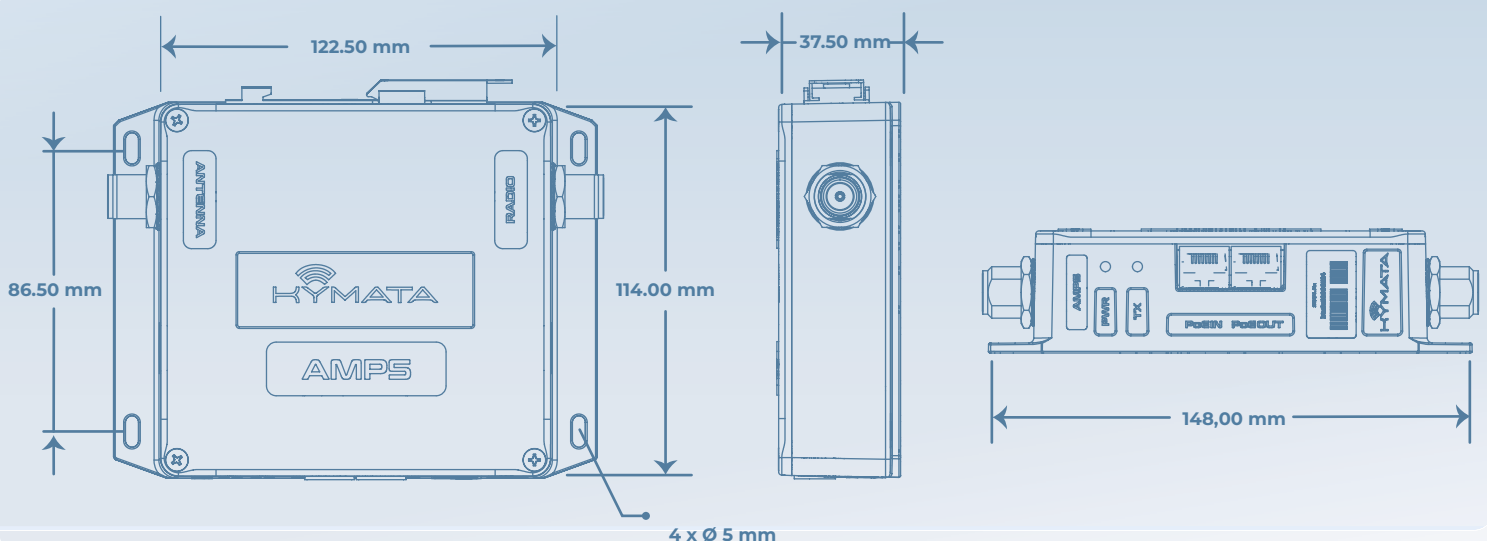
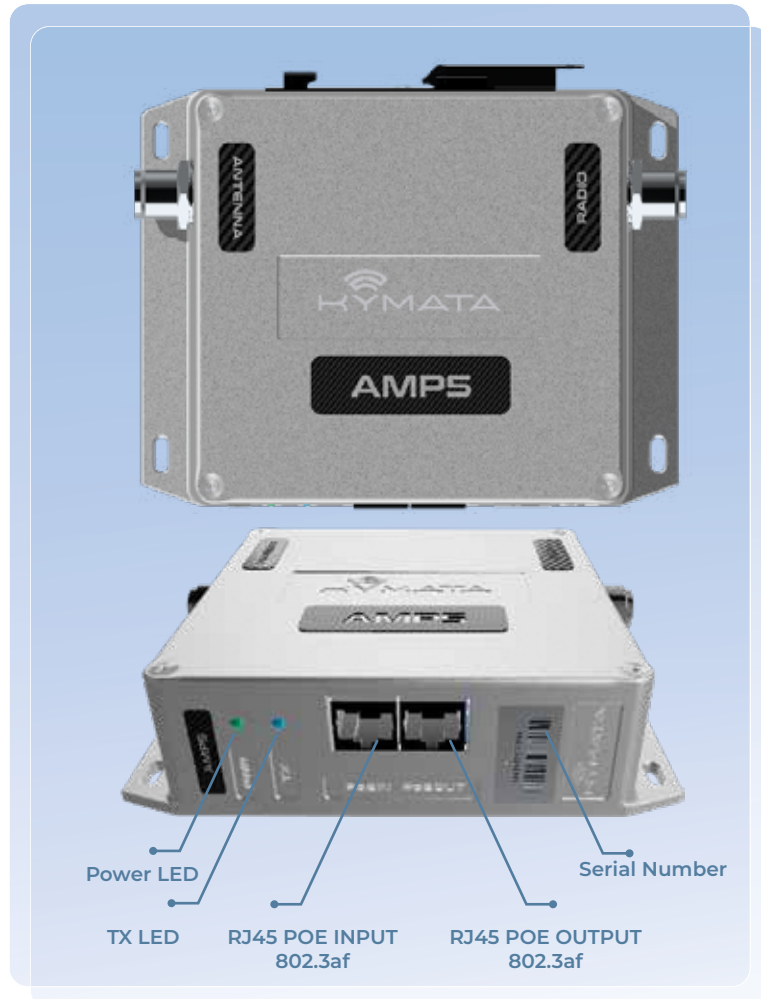


Technical specifications

5GHz bidirectional Wi-Fi amplifier with integrated IP management.
 Used in conjunction with DAS systems for extending 802.11a/n/ac/ax Wi-Fi coverage.
 Management through GUI web and SNMP.
 28dBm maximum output power.

Working frequency	5150-5850MHz
Standard IEEE	802.11a/n/ac/ax
RF IN Max Power	Da +5 a +18dBm
TX Gain	17dB +/- 1dB
TX average power	32dBm
RX Gain	13dB +/- 1dB
RX noise figure	3 dB
Radio/Antenna Connectors	N female
Working Temperature	0, +40°C
Power Connector	2 x RJ45 (electric by-pass)
Power Supply	Standard PoE 802.3af
Max Current consumption	200mA @48VDC
Ethernet port	RJ45 10/100/1000Mbps BaseTX
Led (ON/OFF)	Green
Led (traffic)	Blue
Manager	V1.0 SNMP, Integrated GUI Web Server, IP/Ethernet
Chassis Material	Alluminio
Dimension [mm]	120 x 100 x 35 mm
Chassis Color	Alluminio naturale
DIN mounting	Guida DIN IEC/EN 60715
Fixing drill holes	4 x \varnothing 5mm



PACKAGE CONTENTS

1 x Amplifier
 1 x Power supply 802.3af 50W
 1 x Jumper 1m Nm/Nm
 1 x Patch Ethernet Cat5e 1.5m