

Technical specifications

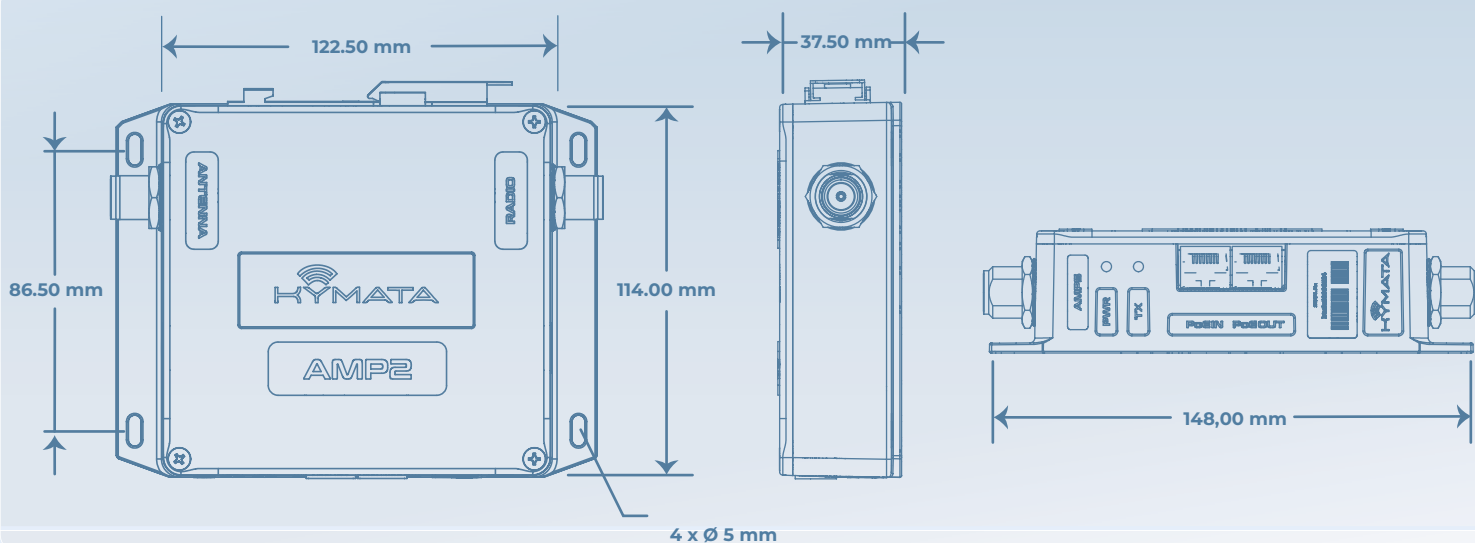
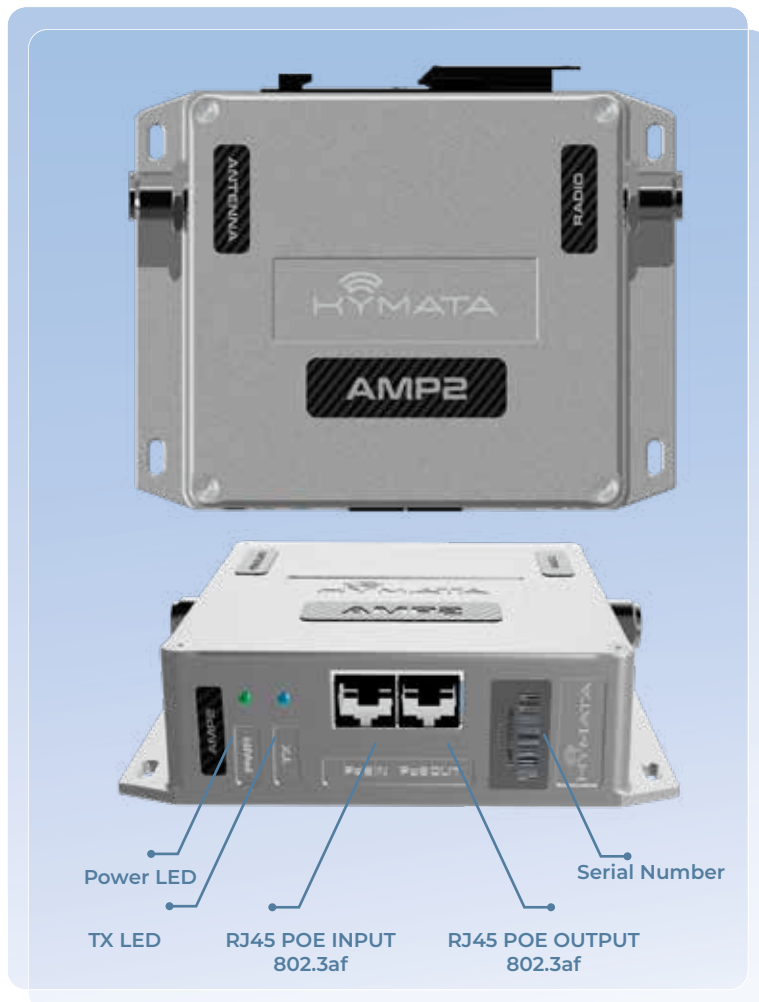
2.4GHz bidirectional Wi-Fi amplifier with integrated IP management.

Used in conjunction with DAS systems for extending 802.11b/g/n/ax Wi-Fi coverage.

Management through GUI web and SNMP.

30dBm maximum output power.

Working frequency	2400-2500MHz
Standard IEEE	802.11b/g/n/ax
RF IN Max Power	From +4 to +18dBm
TX Gain	15dB +/- 1dB
TX average power	30dBm
RX Gain	17dB +/- 1dB
RX noise figure	2dB
Radio/Antenna Connectors	N female
Working Temperature	0, +40°C
Power Connector	2 x RJ45 (electric by-pass)
Power Supply	Standard PoE 802.3af
Max Current consumption	180mA @48VDC
Ethernet port	RJ45 10/100/1000Mbps BaseTX
Led (ON/OFF)	Green
Led (traffic)	Blue
Manager	V1.0 SNMP, Integrated GUI Web Server, IP/Ethernet
Chassis Material	Aluminium
Dimension [mm]	120 x 100 x 35 mm
Chassis Color	Natural alluminium
DIN mounting	DIN IEC/EN 60715
Fixing drill holes	4 x \varnothing 5mm



PACKAGE CONTENTS

1 x Amplifier
 1 x Power supply 802.3af 50W
 1 x Jumper 1m Nm/Nm
 1 x Patch Ethernet Cat5e 1.5m